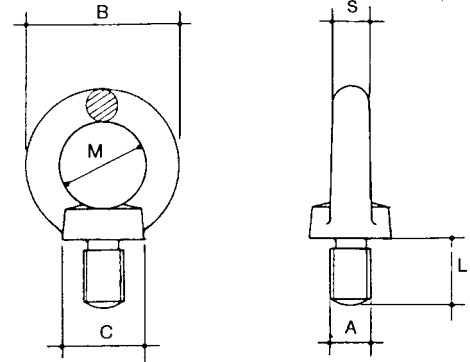


EYEBOLTS WITH COLLAR

TO DIN 580 - METRIC COARSE THREAD

TESTED AND CERTIFIED



| SWL | A | B | C | L | M | S | WEIGHT EACH |
|-------|----|-----|-----|------|-----|----|-------------|
| KGS | mm | mm | mm | mm | mm | mm | KGS |
| 140 | 8 | 36 | 20 | 13 | 20 | 8 | 0.06 |
| 230 | 10 | 45 | 25 | 17 | 25 | 10 | 0.11 |
| 340 | 12 | 54 | 30 | 20.5 | 30 | 12 | 0.18 |
| 700 | 16 | 63 | 35 | 27 | 35 | 14 | 0.30 |
| 1200 | 20 | 72 | 40 | 30 | 40 | 16 | 0.46 |
| 1800 | 24 | 90 | 50 | 36 | 50 | 20 | 0.92 |
| 3600 | 30 | 108 | 65 | 45 | 60 | 24 | 1.61 |
| 5100 | 36 | 126 | 75 | 54 | 70 | 28 | 2.65 |
| 7000 | 42 | 144 | 85 | 63 | 80 | 32 | 4.03 |
| 8600 | 48 | 166 | 100 | 68 | 90 | 38 | 6.38 |
| 11500 | 56 | 184 | 110 | 78 | 100 | 42 | 8.80 |
| 16000 | 64 | 206 | 120 | 90 | 110 | 48 | 12.40 |

Direction of pull

Maximum Loadings by piece lifted in Kgs

| | | | | | | | | | | | | | |
|-----|---------|-----|-----|-----|-----|------|------|------|------|------|------|-------|-------|
| 0° | 1 bolt | 140 | 230 | 340 | 700 | 1200 | 1800 | 3600 | 5100 | 7000 | 8600 | 11500 | 16000 |
| 45° | 2 bolts | 95 | 170 | 240 | 500 | 830 | 1270 | 2600 | 3700 | 5000 | 6100 | 8300 | 11000 |